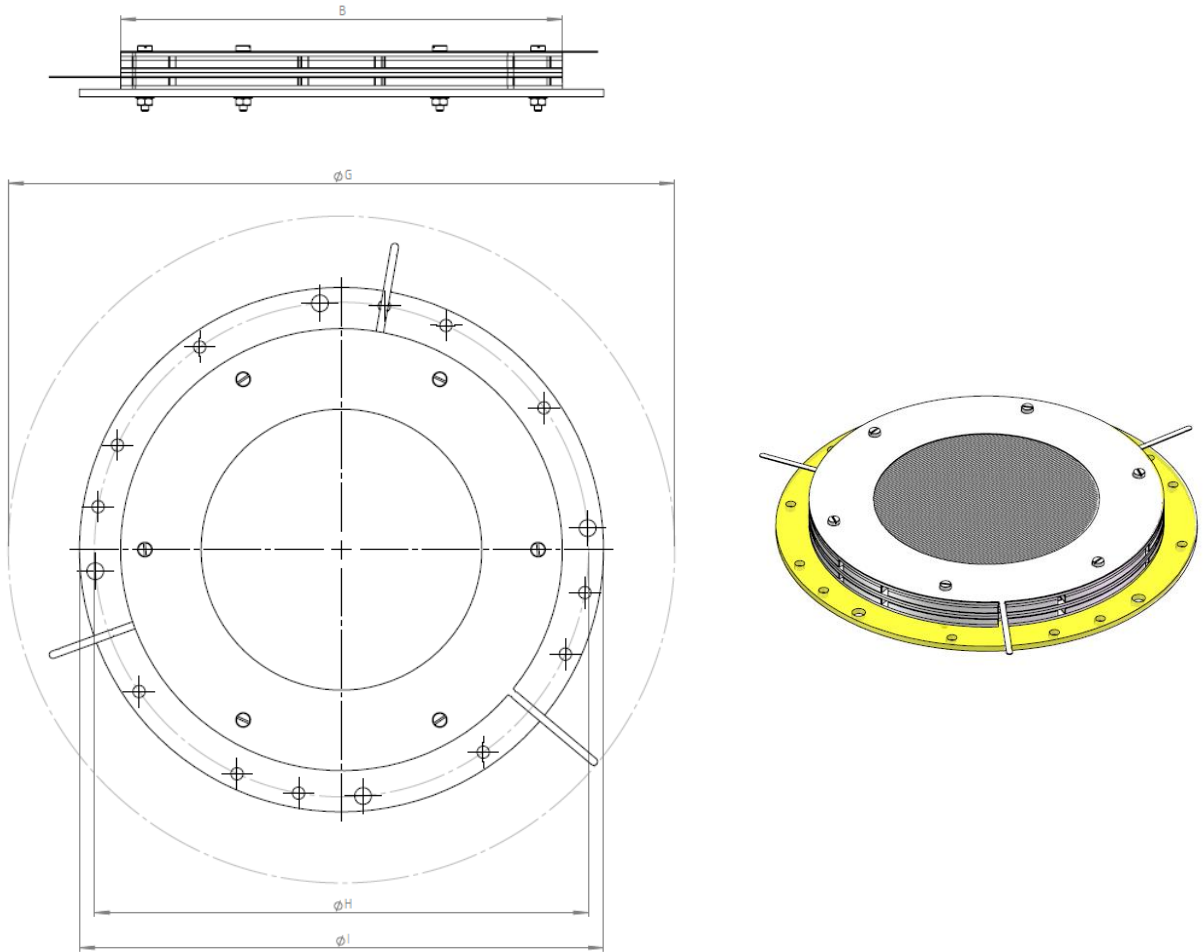


MCP DETECTOR - LONG MOUNT



MCP Outer Diameter (mm)	Effective Diameter (mm)	B	G	H	I*
12	9	20	57.3	56	63
18	14	30	93.6	56	63
25	19	35	93.6	85	92
33	25	44	88	85	92
50	46	65.8	100	85	92
90	77	118	178	132	140

Note: \* - other dimensions of I available upon request