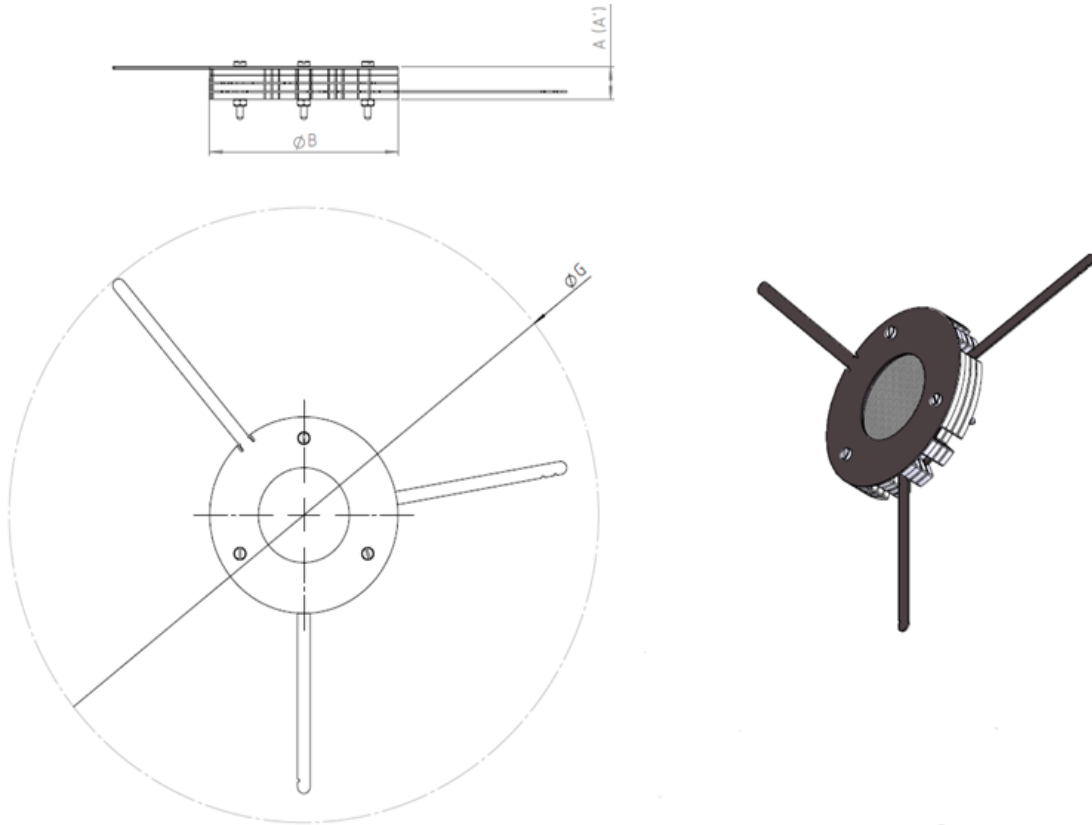


MCP DETECTOR - REGULAR MOUNT



MCP Outer Diameter (mm)	Effective Diameter (mm)	A	A'	B	G
12	9	5.0	-	20	57
18	14	5.0	-	30	85
25	19	5.5	8.6	35	94
33	25	5.5	8.6	44	88
50	46	5.5	8.6	66	109
90	77	14	17.5	118	166

Note: A – Metal Anode, A' – Phosphor Screen