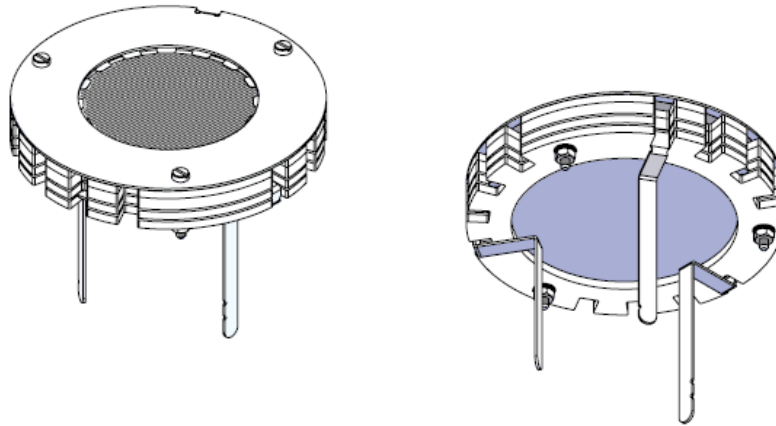
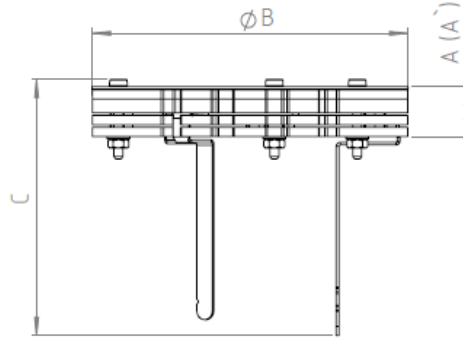


MCP DETECTOR - SHORT MOUNT



MCP Outer Diameter (mm)	Effective Diameter (mm)	A	A'	B	C*
12	9	5.0	-	20	30
18	14	5.0	-	30	30
25	19	5.5	8.6	35	28
33	25	5.5	8.6	44	20

Note: A – Metal Anode; A' – Phosphor Screen; \* – maximum dimension