

### AVAILABLE SCREEN TYPES

Outer Diameter (mm)	Active Diameter (mm)	Screen Thickness (mm)	Edge Thickness (mm)	ITO Conductive Layer Option	Al Overlay Option
25	18	2.20	1.05	v	v
33	25	2.20	1.05	v	v
50	45	2.20	1.05	v	v
90	75	2.20	1.05	v	v

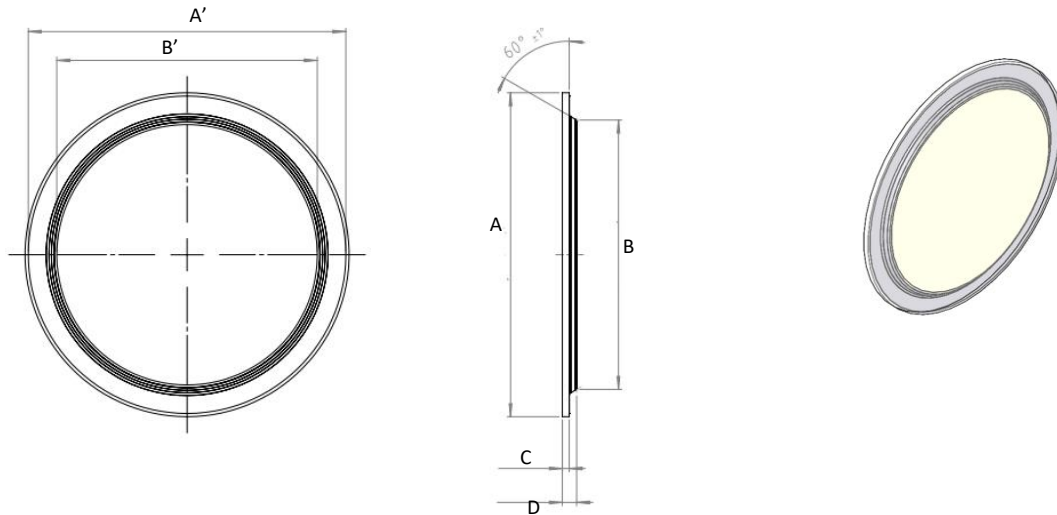
\*Additional screen types available upon request

### PHOSPHOR TYPES

	Chemical Composition	Peak Emission Wavelength (nm)	Emission Color	Median Grain Size (μm)	10% Decay Time (s)
<b>P43</b>	Gd <sub>2</sub> O <sub>2</sub> S:Tb	545	Green	1.6	≤ 1×10 <sup>-3</sup>
<b>P46F</b>	Y <sub>3</sub> (Al, Ga) <sub>5</sub> O <sub>12</sub> :Ce	510	Yellow Green	2.9	≤ 4×10 <sup>-8</sup>
<b>P47</b>	Y <sub>2</sub> SiO <sub>5</sub> :Ce	400	Blue White	3.2	≤ 1×10 <sup>-5</sup>

\*Additional phosphors available upon request

PHOSPHOR SCREENS



Screen Type	A [mm]	A' [mm]	B [mm]	B' [mm]	C [mm]	D [mm]
25mm	25.40	24.40	21.30	20.23	1.05	2.20
33mm	32.80	31.80	28.18	25.70	1.05	2.20
50mm	50.00	49.00	41.58	40.20	1.05	2.20
90mm	88.00	87.00	79.00	77.80	2.10	3.10

Material Type: B-270

Cr contact ring diameter: A'-B'

Cr contact ring thickness: 3000Å

Phosphor coating diameter: B

Al overlay diameter: A'

Al overlay thickness: 500Å