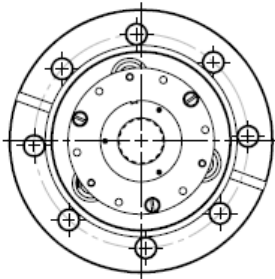
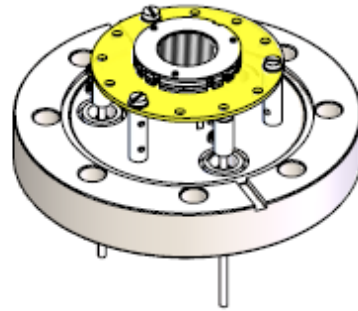
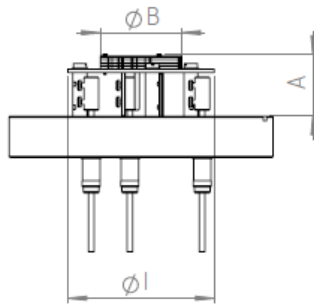
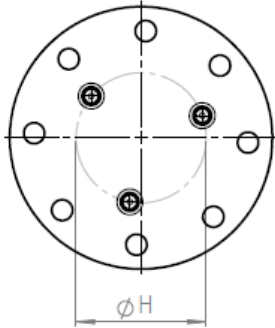


FLANGE-MOUNTED DETECTOR



| MCP Outer Diameter (mm) | Effective Diameter (mm) | A  | A' | B   | H   | I   |
|-------------------------|-------------------------|----|----|-----|-----|-----|
| 12                      | 9                       | 28 | -  | 20  | 56  | 63  |
| 18                      | 14                      | 28 | -  | 30  | 56  | 63  |
| 25                      | 19                      | 29 | 32 | 35  | 85  | 93  |
| 33                      | 25                      | 29 | 32 | 44  | 85  | 92  |
| 50                      | 46                      | 29 | 32 | 66  | 85  | 92  |
| 90                      | 77                      | 37 | 41 | 118 | 132 | 140 |

Note: A – Metal Anode; A' – Phosphor Screen; I – Mounting Ring upon Request